



Z5650

1.6 GPF Elongated Floor Mounted
Flush Valve Toilet

TAG _____



Z5650 Series

Recommended Trim:

Z6000AV-WS1

AquaVantage® 'AV' low consumption 1.6 gpf exposed closet flush valve.

Z5955SS-EL Elongated, standard white, open front toilet seat less cover with stainless steel check hinge.

Z5972-COMB Closet bolt/wax ring kit.

Optional Trim:

Z5795-FLO-JR PVC Flo-Bowl Jr. closet flange kit

Optional Water-Savings Trim:

Z6000AV-DF-WS1 AquaVantage® AV dual flush water-conserving exposed closet flush valve (estimated 30% potential water savings).

These dimensions and specifications are subject to change without notice.

Fixture dimensions meet ANSI/ASME standard A112.19.2 and CAN/CSA B45 requirements.

See Zurn One Systems for suggested packages.

Z5650 Series

- 1.6 gpf (gallons per flush)
- Vitreous china
- Elongated front rim
- 2" fully glazed trapway
- Siphon jet flush action
- 1-1/2" top spud
- Includes bolt caps
- Shipping Weight: 55 lbs.

Engineering Specification:

Z5650 with Top Spud

Vitreous china, 1.6 gpf [6 Lpf] low consumption, floor mounted toilet with siphon jet flush action and elongated front rim with 1-1/2" top spud and two bolt caps.

Z5651 with Top Spud and Bedpan Lugs

Vitreous china, 1.6 gpf [6 Lpf] low consumption, floor mounted toilet with siphon jet flush action and elongated front rim designed to accommodate a bedpan with 1-1/2" top spud and two bolt caps.

This space is for Architectural/engineering Approval

Zurn Plumbing Products Group Commercial Brass and Fixtures Operation

2640 South Work Street · Falconer, NY 14733 · Phone: 716-665-1132 · Fax: 716-665-1135 · www.zurn.com



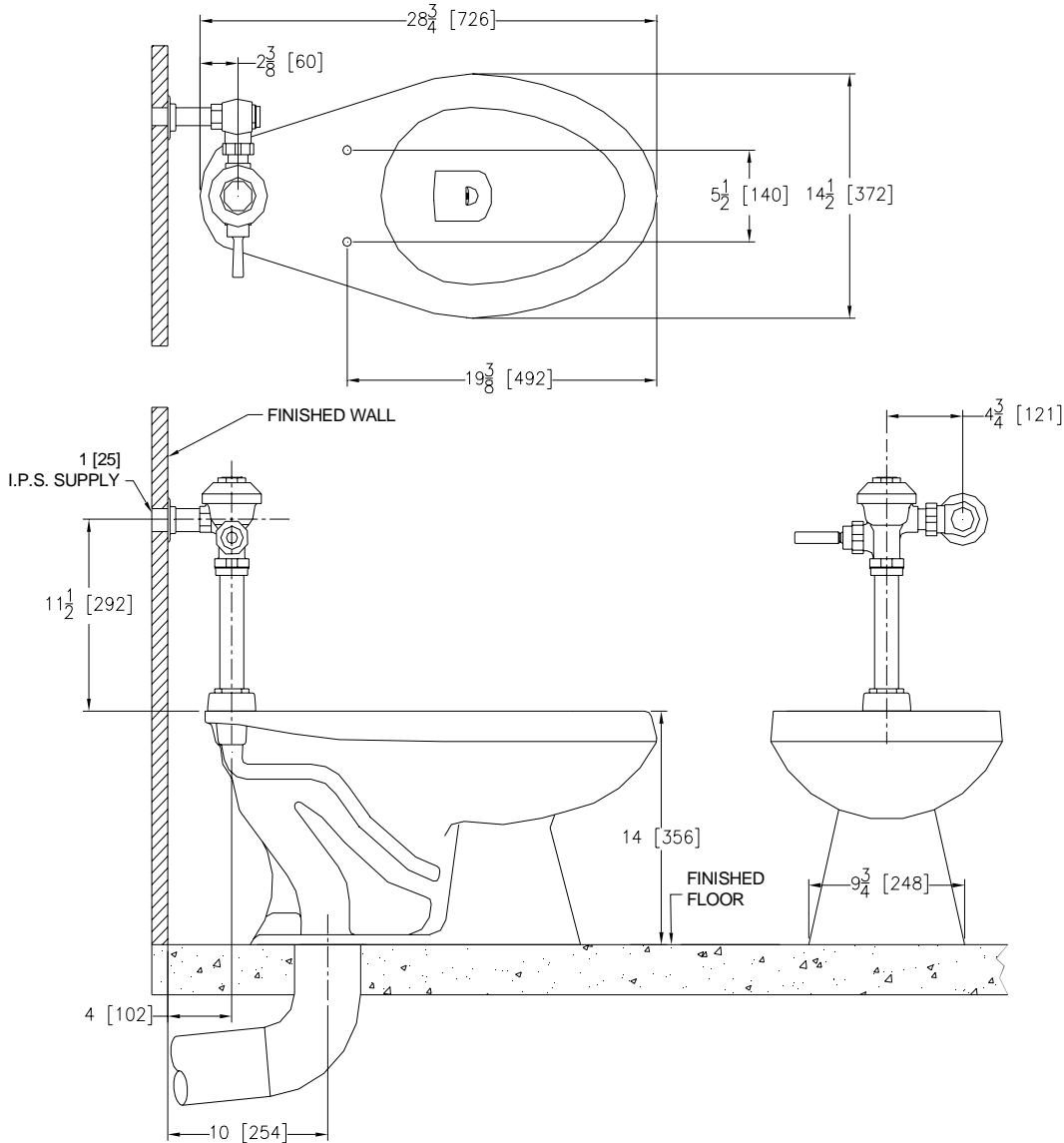
Z5650

1.6 GPF Elongated Floor Mounted Flush Valve Toilet Rough-in

TAG _____

Rough-in dimensions for Z5650 Series

- Z5650 with top spud
- Z5651 with top spud and bedpan lugs



These dimensions and specifications are subject to change without notice.

Fixture dimensions meet ANSI/ASME standard A112.19.2 and CAN/CSA B45 requirements.

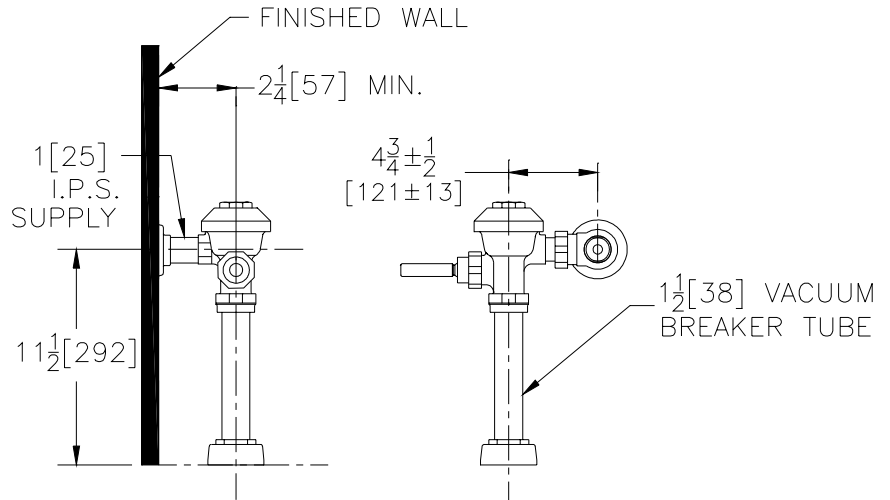
Zurn Plumbing Products Group Commercial Brass and Fixtures Operation
2640 South Work Street · Falconer, NY 14733 · Phone: 716-665-1132 · Fax: 716-665-1135 · www.zurn.com



Aquaflush®

TAG _____

Exposed Z6000 Model for Water Closets



Flow Options

- WS1 1.6 Gal. Low Consumption Flush
- FF 4.5 Gal. Full Flush
- Standard Flush 3.5 Gallons Per Flush

Suffix Options (Check/Specify Appropriate Options)

- _____ -BG BioCare ADA Handle
- _____ -H Handle on Front of Flush Valve
- _____ -L 1" [25] Metal Push Button
- _____ -L3 3" [76] Metal Push Button
- _____ -VC Vandal Resistant Stop Cover
- _____ -YB Sweat Solder Kit
- _____ -YC Cast Wall Flange
- _____ -YJ Split Ring Pipe Support
- _____ -YK Solid Ring Pipe Support
- _____ -YO Bumper on Angle Stop
- _____ Other

ENGINEERING SPECIFICATION: ZURN Z6000 Aquaflush Exposed Closet Flush Valve - Exposed, quiet diaphragm-type, chrome plated flushometer valve with a polished exterior. Complete with a chloramine resistant, dual seal diaphragm with a clog resistant by-pass. The valve is ADA compliant with a non-hold-open and no leak handle feature, high back pressure vacuum breaker, one piece hex coupling nut, adjustable tailpiece, spud coupling and flange for top spud connection. Control stop has internal siphon-guard protection. Internal seals are made of chloramine resistant materials.

- Z6000PL - Aquaflush Plus** is furnished as specified above and includes sweat solder kit, vandal resistant stop cap, and cast wall flange with set screw. **Complete with a chloramine resistant, dual seal diaphragm with a clog resistant by-pass.**

This space is for Architectural/engineering Approval

ZURN INDUSTRIES, INC. ♦ COMMERCIAL BRASS OPERATION ♦ 5900 ELWIN BUCHANAN DRIVE ♦ SANFORD NC 27330

Phone: 1-800-997-3876 ♦ Fax: 919-775-3541 ♦ World Wide Web: www.zurn.com

In Canada: ZURN INDUSTRIES LIMITED ♦ 3544 Nashua Drive ♦ Mississauga, Ontario L4V1L2 ♦ Phone: 905-405-8272 Fax: 905-405-1292



Z5950

Commercial Heavy Duty Toilet Seat

TAG _____



Z5950 Series

Z5950 Series

- Injection molded for rugged, heavy duty use.
- Highly resistant to cleansers and strong chemicals
- Stainless steel check hinge
- Integrally molded bumpers for lasting durability

Options:

- BK** Black toilet seat
- STS** Self-sustaining stainless steel check hinge

This space is for Architectural/engineering Approval
--

These dimensions and specifications are subject to change without notice.

Fixture dimensions meet ANSI/ASME standard A112.19.2 and CAN/CSA B45 requirements.

See Zurn One Systems for suggested packages.

Engineering Specification:

- Z5955SS-EL** Elongated, standard white, open front toilet seat, less cover, with stainless steel check hinge.
- Z5955SS-AM** Elongated, standard white, open front toilet seat, less cover, with stainless steel check hinge and anti-microbial protection.
- Z5956SS-EL** Elongated, premium white, open front toilet seat, less cover, with stainless steel check hinge.
- Z5956SS-AM** Elongated, premium white, open front toilet seat, less cover, with stainless steel check hinge and anti-microbial protection.
- Z5957SS-EL** Elongated, white, open front toilet seat, with cover and stainless steel check hinge.
- Z5957SS-RD** Round, white, open front toilet seat, with cover and stainless steel check hinge.
- Z5958SS-EL** Elongated, white, closed front toilet seat, with cover and stainless steel check hinge.
- Z5958SS-RD** Round, white, closed front toilet seat, with cover and stainless steel check hinge.
- Z5959SS-JUV** White, open front child's toilet seat, less cover, with stainless steel check hinge.

Zurn Plumbing Products Group Commercial Brass and Fixtures Operation
2640 South Work Street · Falconer, NY 14733 · Phone: 716-665-1132 · Fax: 716-665-1135 · www.zurn.com